

Installation Instruction

1. Item Name: Gutter Ladder

2. Product Material Number: 127-034-003

Installation Time: 30 minutes

3. List of Components:

Person Needed: 2

NO.	QTY	Item Name
1)	1	First Section Assembly
2)	1	Second Section Assembly
3)	2	Magnets Assembly
4)	1	Joiner
5)	1	Joiner - Mirrored
6)	1	Clamp Plate
7)	2	Hex Socket Head Cap Screw M8×20
8)	12	Hex Socket Head Cap Screw M8×40
9)	12	M8 Lock Nut
10)	14	Flat Washer 8
11)	2	Spring Washer 8

⚠ WARNING

May Lead to Injury to Installer, Kindly Take Care.

⚠ WARNING



Watch Out Head and Hand During Installation.

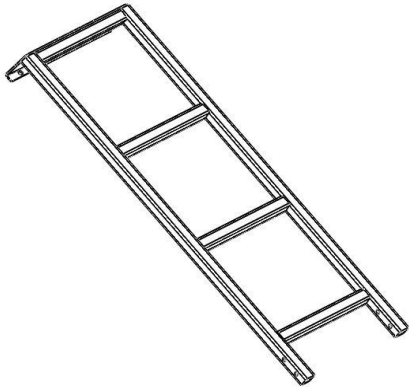
⚠ CAUTION



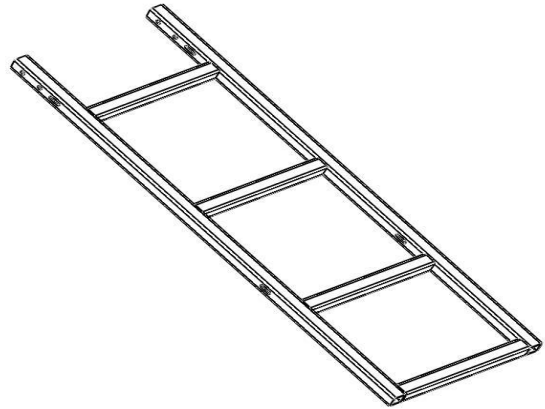
Kindly Do Installation Process As Mentioned in This Manual.

ITEM PICTURE

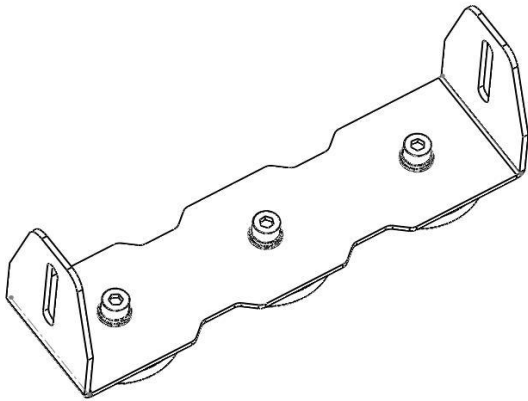
First Section Assembly



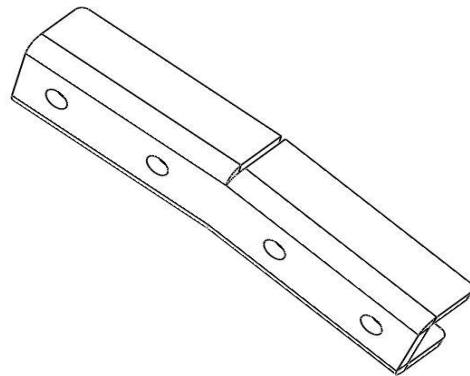
Second Section Assembly



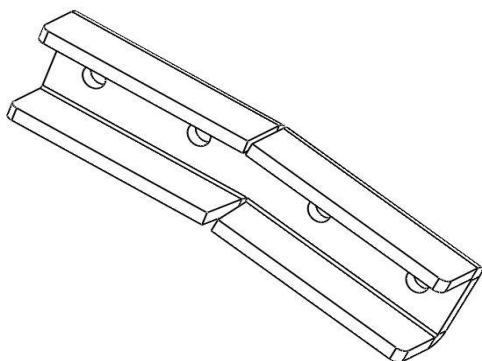
Magnets Assembly



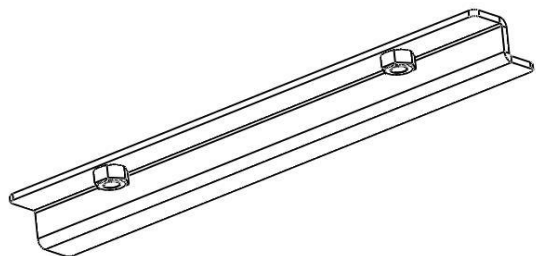
Joiner



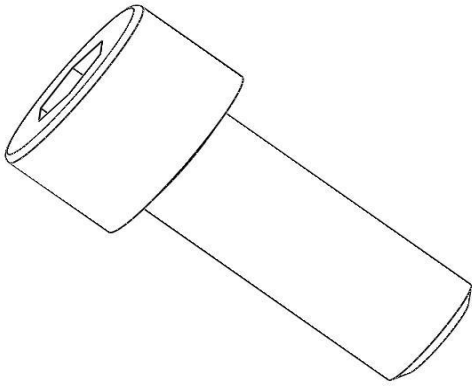
Joiner - Mirrored



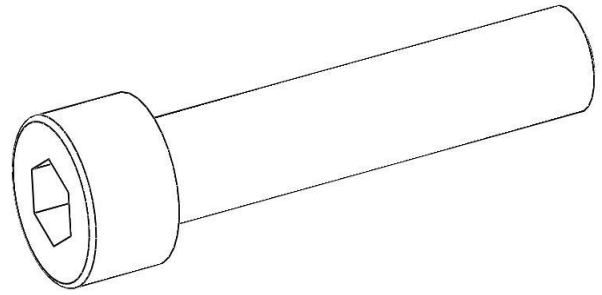
Clamp Plate



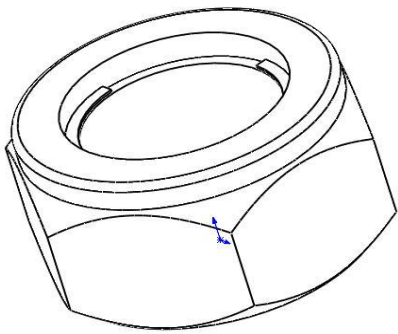
Hex Socket Head Cap Screw M8×20



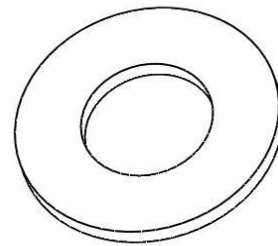
Hex Socket Head Cap Screw M8×40



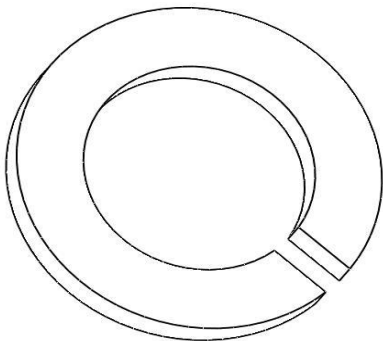
M8 Lock Nut



Flat Washer 8



Spring Washer 8

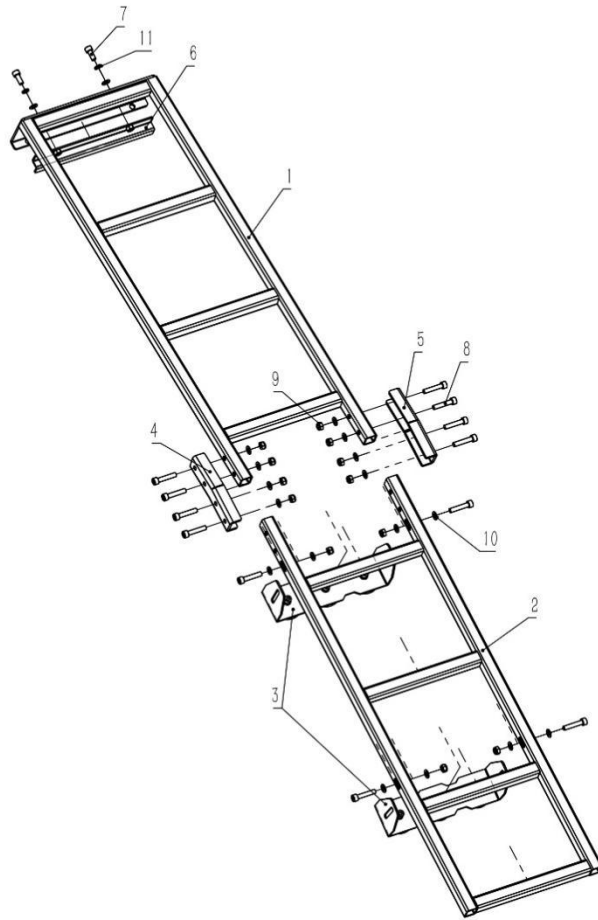


12 Instruction Manual



Installation Instructions

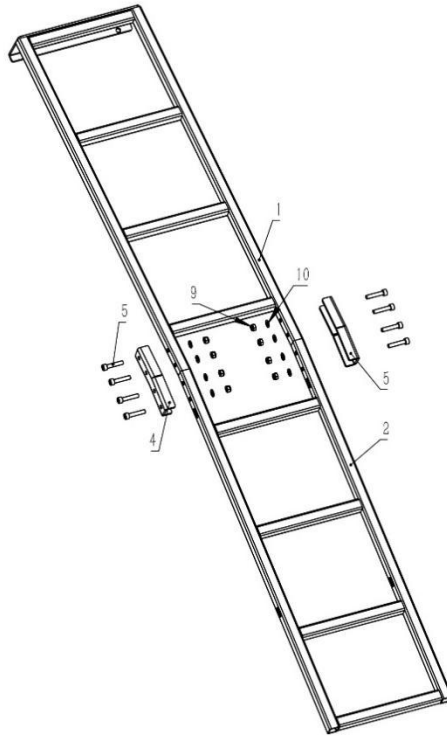
1



No.	Item Name	Qty
1	First Section Assembly	1
2	Second Section Assembly	1
3	Magnets Assembly	2
4	Joiner	1
5	Joiner - Mirrored	1
6	Clamp Plate	1
7	Hex Socket Head Cap Screw M8×20	2
8	Hex Socket Head Cap Screw M8×40	12
9	M8 Lock Nut	12
10	Flat Washer 8	14
11	Spring Washer 8	2

Installation Steps

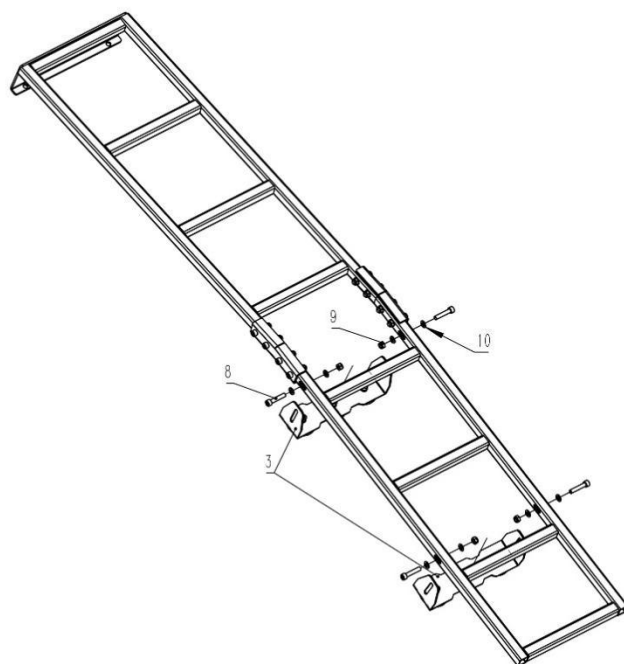
1. First, assemble the parts 1, 2, 4, 5, 9, and 10 shown in the figure.



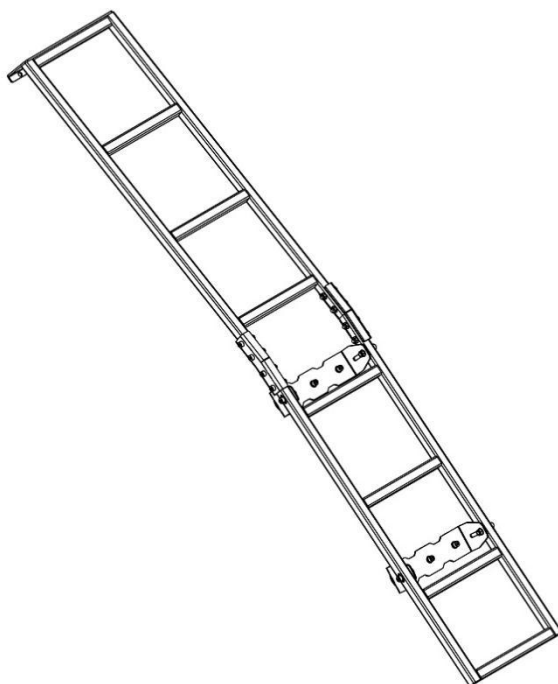
The installation result is shown in the figure.



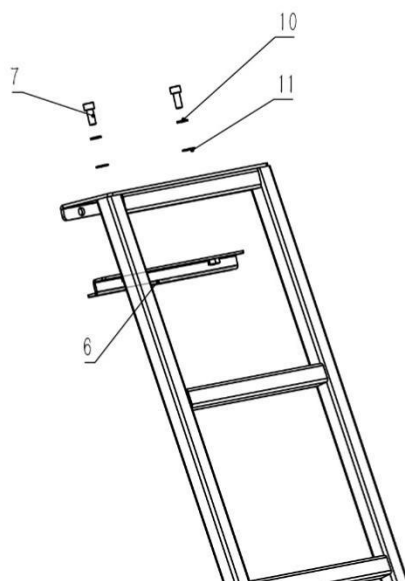
2. Install the 3 magnets assemblies.



The installation result is shown in the figure.



3. Install the clamp plate (6) at a suitable position on the side rain gutter of the vehicle to secure the ladder. Finally, adjust the position of the magnets assembly and tighten it. Installation is complete.



The installation result is shown in the figure.

