

ozroofracks



ROOF PLATFORM 310*133CM

INSTALLATION GUIDE

ozroofracks**Roof Rack 3100×1330****Installation Manual****1. DESCRIPTION: Roof Rack 3100×1300****2. APPLICATION: Roof Rack 3100×1300****3. PARTNUMBER: YK-XLJ-3100×1330****Installation time: 30 Mins****4. KITCONTENTS:****Persons required: 2 Persons**

ITEMNO.	QTY	DESCRIPTION
1)	2	Roof Rack-1&2
2)	1	Roof Rack-1531.5-3
3)	1	Roof Rack-1531.5-4
4)	1	Roof Rack-1431.5-5
5)	1	Roof Rack-1431.5-6
6)	8	Roof Rack-7
7)	4	Roof Rack-8
8)	4	Roof Rack-9
9)	2	Combine Block-1
10)	2	Combine Block-2
11)	8	Countersunk Bolt M5×35
12)	4	Countersunk Bolt M5×40
13)	36	Bolt M5×16
14)	8	Bolt M8×16
15)	36	Washer M5
16)	8	Washer M8

⚠ WARNING

May lead to injury to installer, kindly take care.

⚠ WARNING

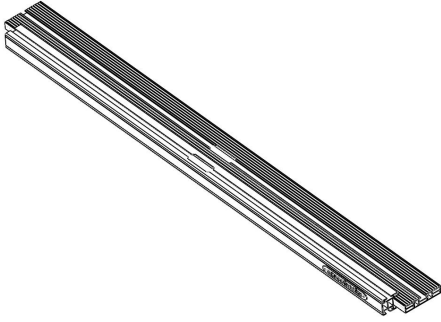
Kindly do installation process as mentioned in this manual.

⚠ CAUTION

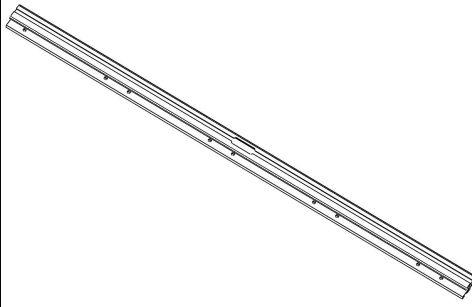
Watch out head and hand during installation.

ITEM PICTURES

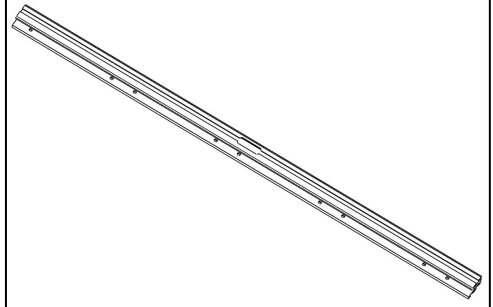
1 Roof Rack-1&2



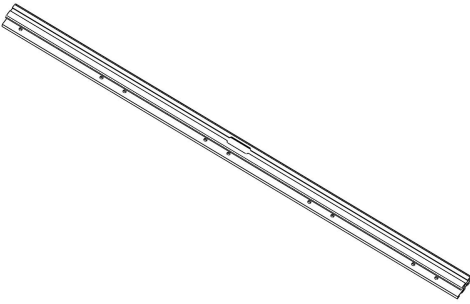
2 Roof Rack-1531.5-3



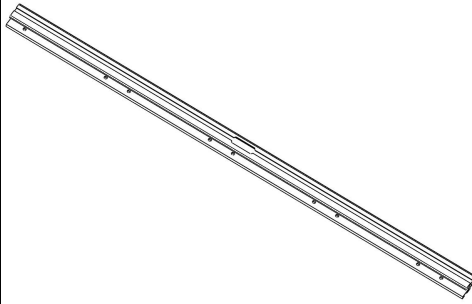
3 Roof Rack-1531.5-4



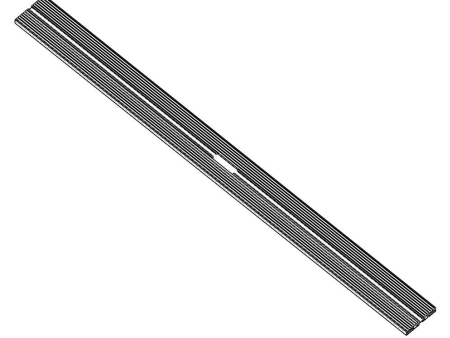
4 Roof Rack-1431.5-5



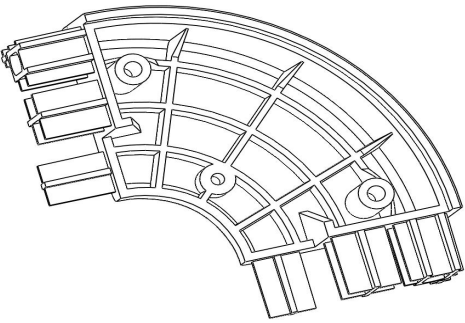
5 Roof Rack-1431.5-6



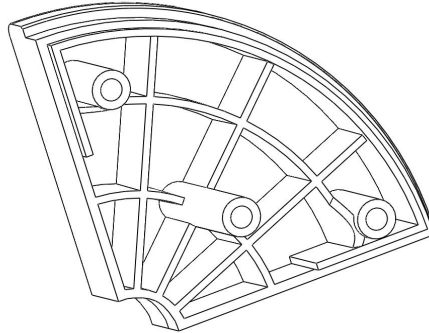
6 Roof Rack-7



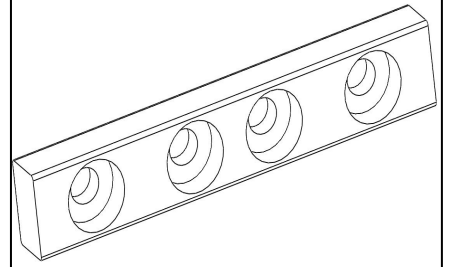
7 Roof Rack-8



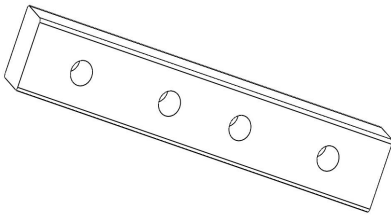
8 Roof Rack-9



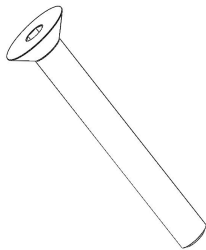
9 Combine Block-1



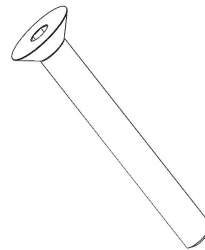
10 Combine Block-2



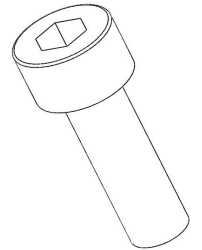
11 Bolt M5×35



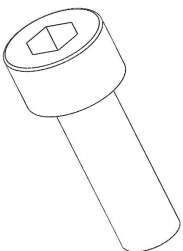
12 Bolt M5×40



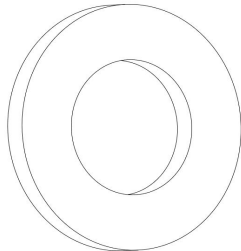
13 Bolt M5×16



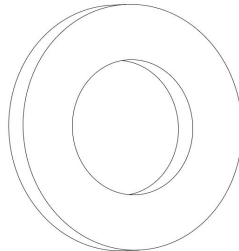
14 Bolt M8×16



15 Washer M5



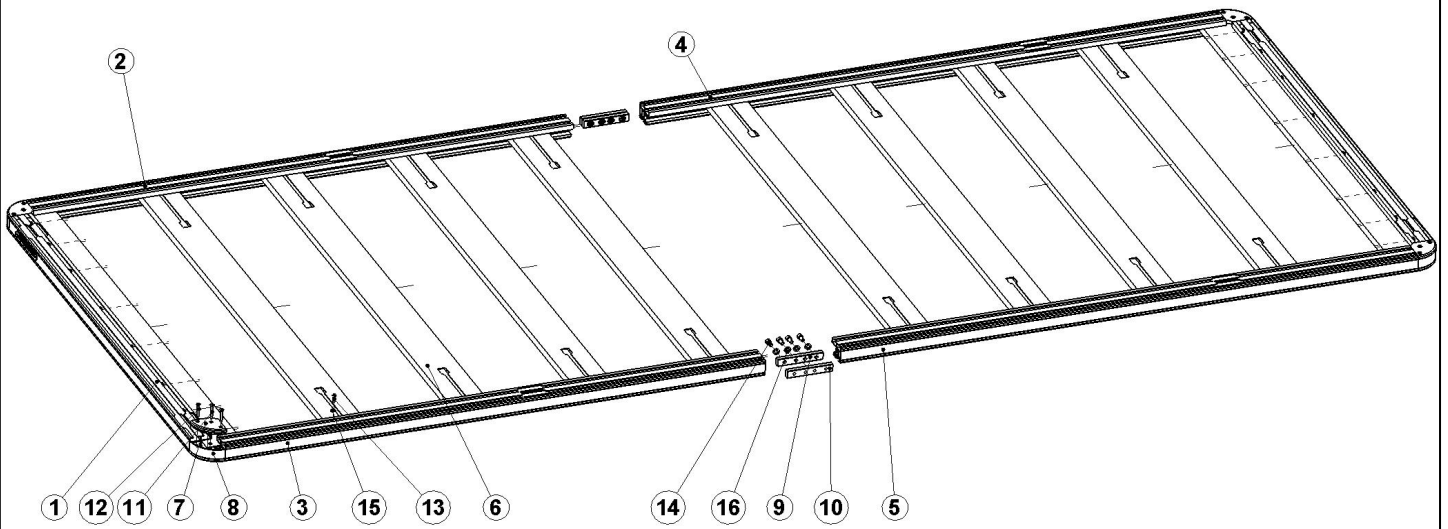
16 Washer M8



17 Instruction Manual



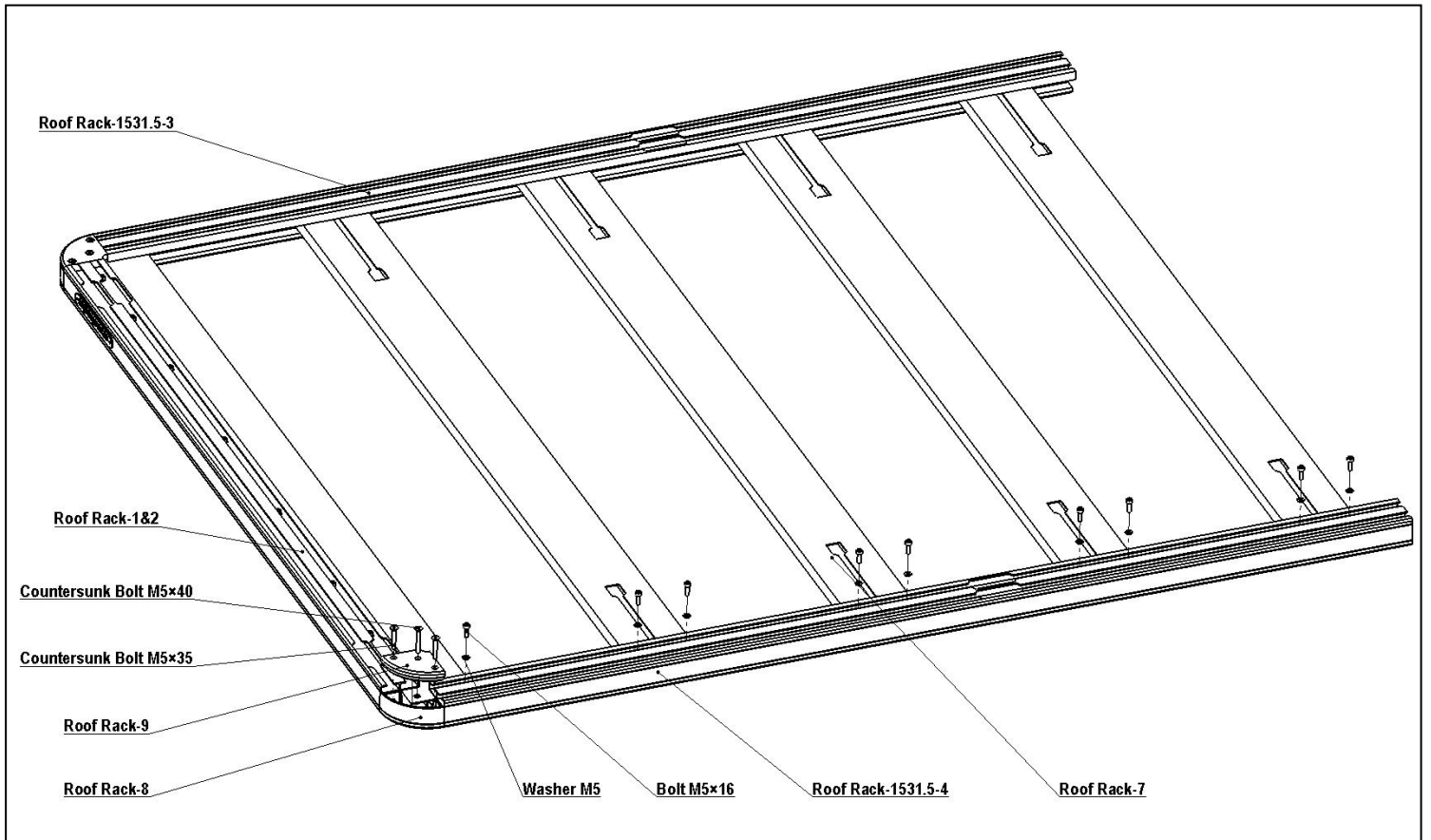
INSTALLATION INSTRUCTIONS- ROOF RACK 3100×1330



CallOut	Description	Quantity
1	Roof Rack-1&2	2
2	Roof Rack-1531.5-3	1
3	Roof Rack-1531.5-4	1
4	Roof Rack-1431.5-5	1
5	Roof Rack-1431.5-6	1
6	Roof Rack-7	8
7	Roof Rack-8	4
8	Roof Rack-9	4
9	Combine Block-1	2
10	Combine Block-2	2
11	Countersunk Bolt M5×35	8
12	Countersunk Bolt M5×40	4
13	Bolt M5×16	36
14	Bolt M8×16	8
15	Washer M5	36
16	Washer M8	8

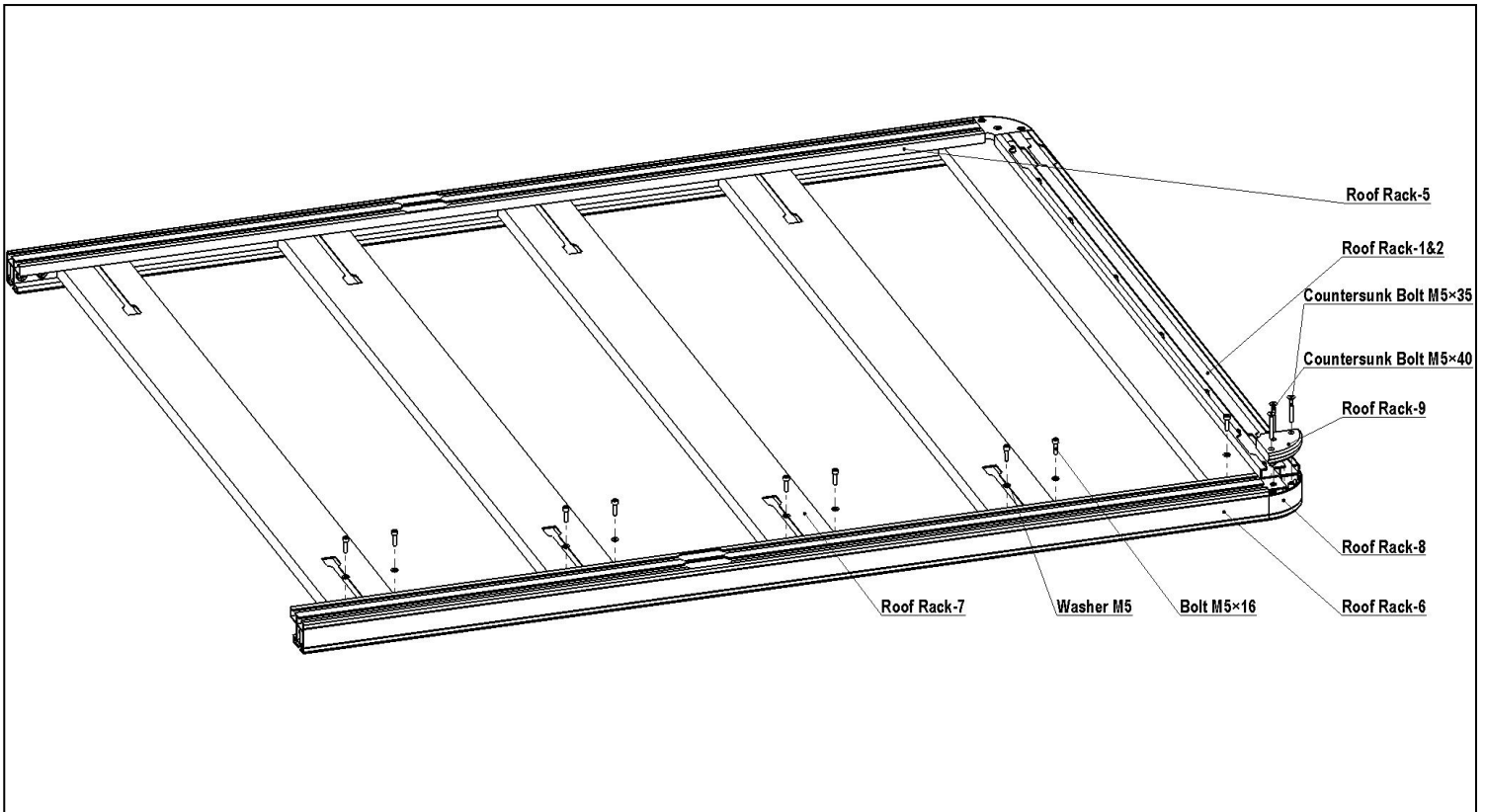
ROOF RACK 3100×1330 INSTALLATION INSTRUCTION

1, Assemble the Roof Rack-1&2 and Roof Rack-1531.5-3 and Roof Rack-1531.5-4 and Roof Rack-7 and Roof Rack-8 and Roof Rack-9 with Countersunk Bolt M5×35 and Countersunk Bolt M5×40 and Bolt M5×16 and Washer M5. (Torque, M5: 5.91Nm; M6: 24.2Nm; Bolt with thread locker)



ROOF RACK 3100×1330 INSTALLATION INSTRUCTION

2, Assemble the Roof Rack-1&2 and Roof Rack-1431.5-5 and Roof Rack-1431.5-6 and Roof Rack-7 and Roof Rack-8 and Roof Rack-9 with Countersunk Bolt M5×35 and Countersunk Bolt M5×40 and Bolt M5×16 and Washer M5.(Torque, M5: 5.91Nm; M6: 24.2Nm; Bolt with thread locker)



ROOF RACK 3100×1330 INSTALLATION INSTRUCTION

3, Assemble those two parts with Combine Block-1 and Combine Block-2 and Bolt M8 × 16 and Washer M8. (Torque, M8:24.2Nm; Bolt with thread locker)

